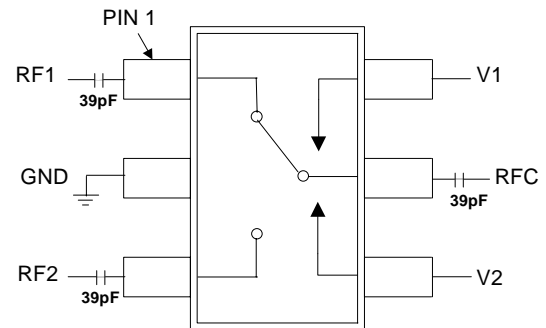


Absolute Maximum Ratings¹

Parameter	Absolute Maximum
Max. Input Power (0.5 - 3.0 GHz)	
3 V Control	+30 dBm
5 V Control	+33 dBm
Operating Voltage	+8.5 Volts
Operating Temperature	-40°C to +85°C
Storage Temperature	-65°C to +150°C

1. Exceeding any one or combination of these limits may cause permanent damage.

Functional Schematic Positive Control Voltage

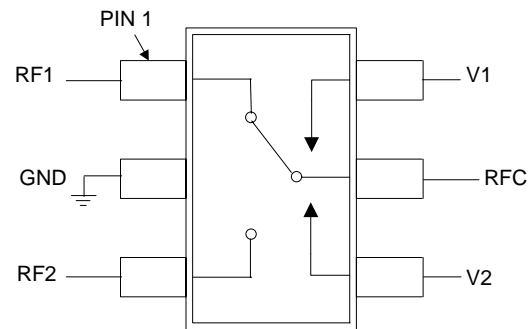


Truth Table

Mode (Control)	V1	V2	RFC - RF1	RFC - RF2
Positive ¹	0±0.2V	+2.5 to +8V	On	Off
	+2.5 to +8V	0±0.2V	Off	On
Negative ²	0±0.2V	-2.5V to -8V	Off	On
	-2.5V to -8V	0±0.2V	On	Off

1. External DC blocking capacitors are required on all RF ports. 39pF capacitors used for positive control voltage.
2. If negative control is used, DC blocking capacitors are not required on RF Ports.

Functional Schematic Negative Control Voltage



PIN Configuration

PIN No.	Function	Description
1	RF1	RF in/out
2	GND	RF Ground
3	RF2	RF in/out
4	V2	V Control 2
5	RFC	RF COMMON
6	V1	V Control 1

Handling Procedures

The following precautions should be observed to avoid damage:

Static Sensitivity

Gallium Arsenide Integrated Circuits are ESD sensitive and can be damaged by static electricity. Proper ESD techniques should be used when handling these devices.

Typical Performance Curves

